

MBus_RTH_CO2: 3 IN 1 CO2 transmitter with Modbus RS-485 interface and 3x Analog Outputs

Specification

Sensing Element	Carbon Dioxide : Non-Dispersive Infrared Detector
CO ₂ Measurement Range	0~2,000ppm
CO ₂ accuracy (@ 25C)	±40ppm + 3% reading
Stability	<2% of FS over lifetime (15 years) of sensor
Calibration	ABC Logic self-calibration
Response time	<2 minutes for 90% step change
Temperature Sensor	NTC 5K thermistor
Temperature measurement range / accuracy	0~50C ±0.5C @25C
Humidity sensor	HS series capacitive sensor
Humidity measurement range	0~100%RH
Humidity measurement accuracy	±3%RH (40%RH~60%RH, 25C)
Temperature calibration	Self-compensation
Warm time	24hours (First time or using again after powered off for a long time) - 5min (operational)
Power supply	24VAC/VDC
Consumption	3.5W max. : 2.8W average.
Work condition	0~50C(32~122F); 0~95%RH, non condensing
Storage condition	-40~70C(-40~158F)
Weight	200g
Dimensions	130mm×85mm×36.5mm
Installment standard	Wall mounting 65mm×65mm or 2"×4" wire box
Housing	PC/ABS fire-proof, IP30 protection
Certifications	CE-approved

Important Safety Information

- ◆ Always cut off power before mounting, removing, and cleaning the alarm.
- ◆ Notice the supply power voltage of the transmitter: 24 VAC/VDC.

Mounting and Wire Connection

- ◆ Install the transmitter in the position of 1.2-1.3m high from the ground or the position where you need to collect the measurement data. Do not mount it behind the door, in the corner or near heat source, diffuser or any steam source, in direct sunlight; also do not mount it near the garbage bin, gas oven to prevent the false readings.
- ◆ See the dimension in figure 2.
- ◆ Follow the step 1-3 in figure 1, power off and put the screwdriver into the groove at the bottom of the transmitter, press the lock lightly, separate the face cover from the back cover.
- ◆ Fix the mounting board on the wall. Connect the wires to the screw terminals (see figure 3). Make sure the connection is correct.
- ◆ Follow steps 4 and 5 in figure 1 to close the cover.

Figure 1

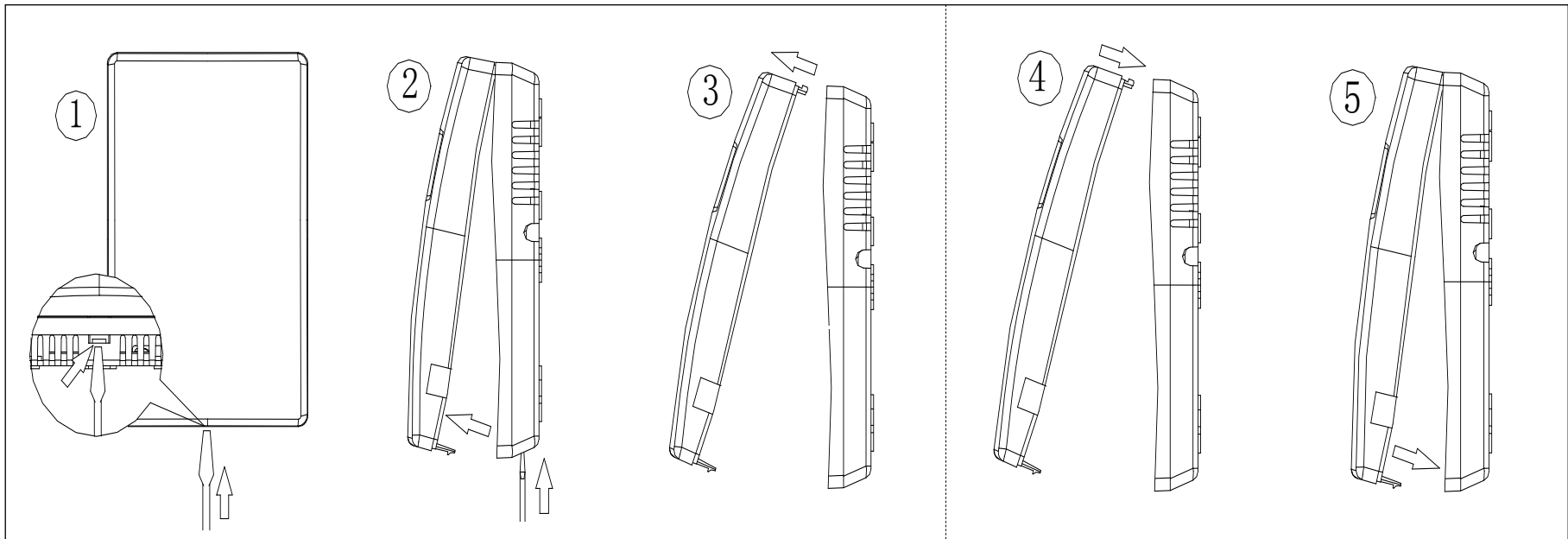


Figure 2

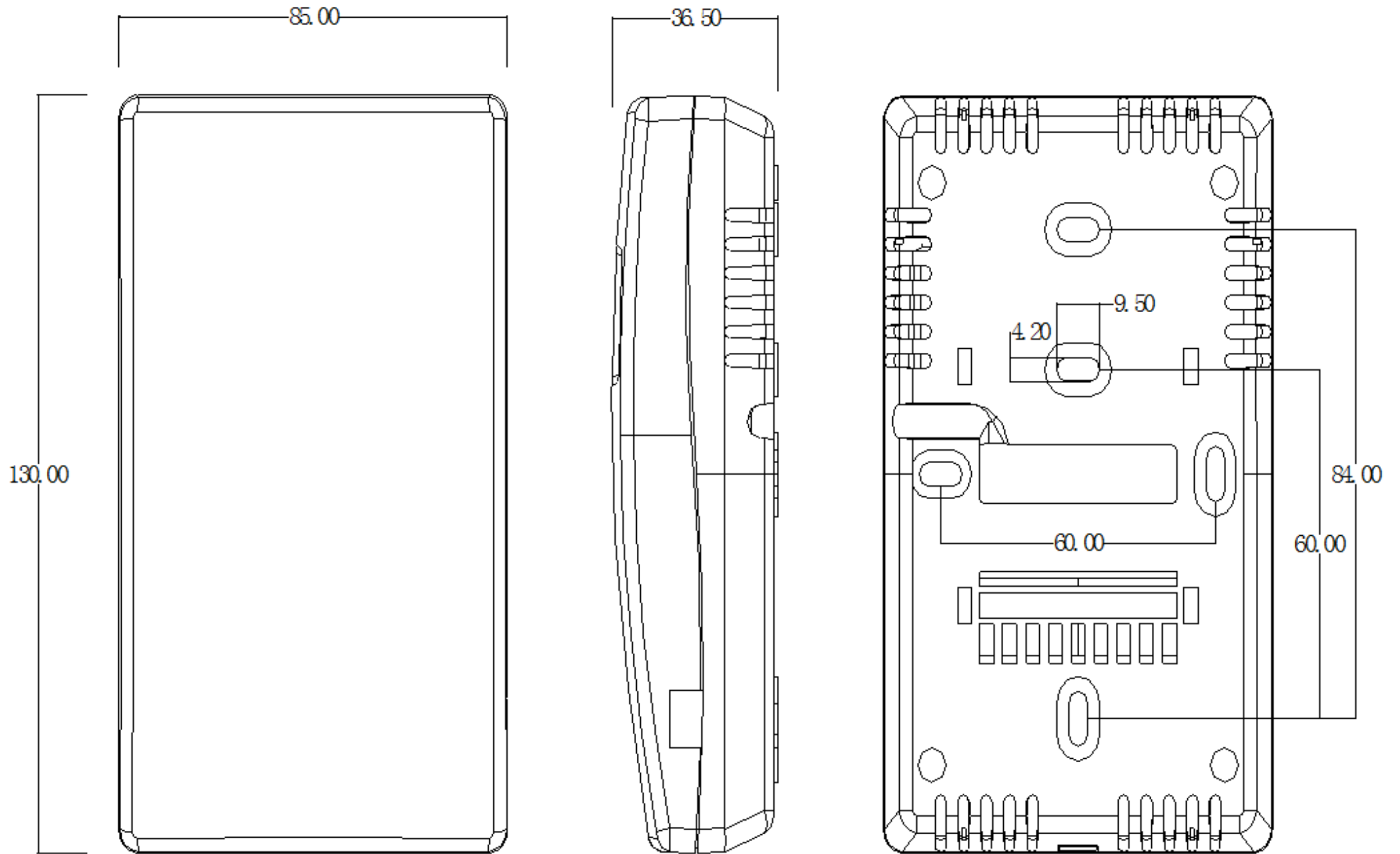


Figure 3

