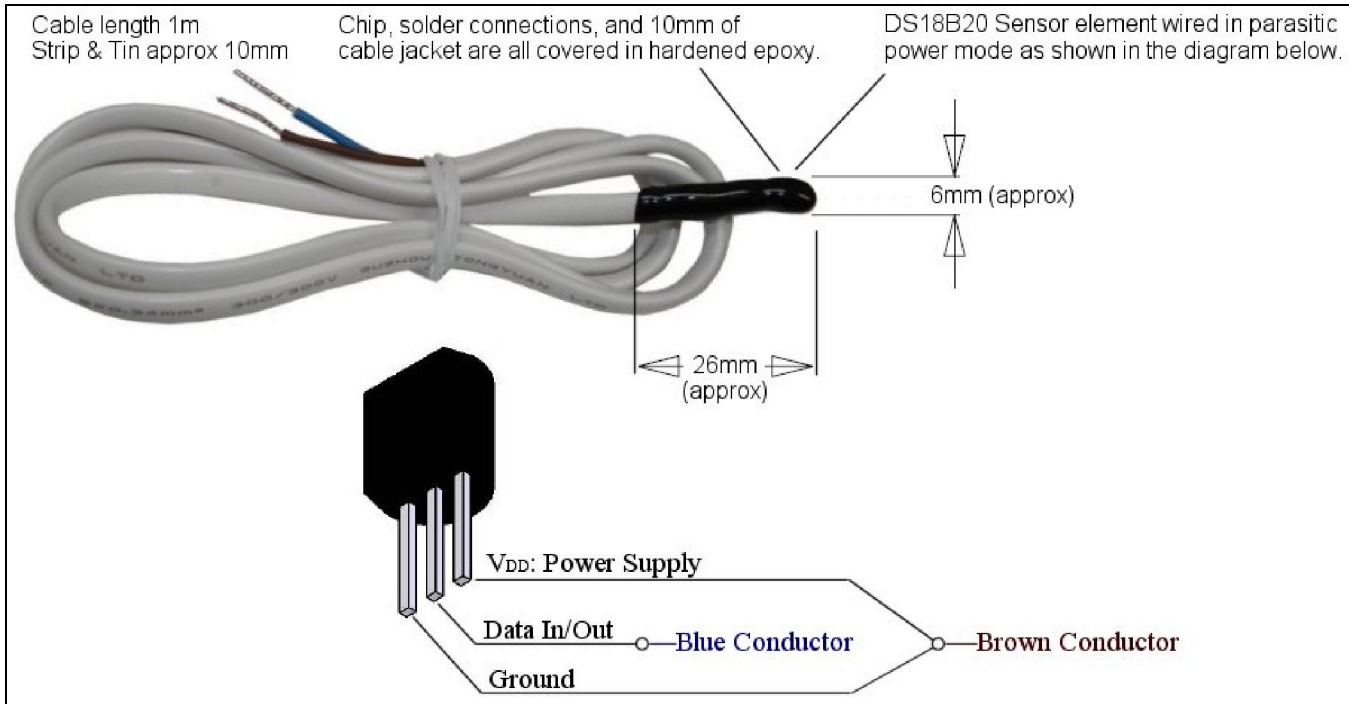


## Specifications: 1WT\_INL\_POT\_1m

### General Description:

- Inline potted 1-wire temperature sensor: uses DS18B20 chip with 12 bit resolution
- Length of potted section is approx 26mm
- 1m long cable: 2 stranded conductors: Blue/Brown



### Sensor & Probe Specifications:

Sensor Accuracy (-10 to 85 DegC)	+/- 0.5 DegC
Sensor Accuracy (-55 to 125 DegC)	+/- 2.0 DegC
Sensor Resolution (DS18B20)	12 Bit
Supply Voltage	3.0 to 5.5V
Active Current	1 to 1.5 mA

### Cable Specifications:

#### CONDUCTOR PHYSICAL CHARACTERISTICS:

- Conductor size: 2 x 0.34mm<sup>2</sup> – Stranded: # Strands / Equiv size: 17 / 0.16
- Conductor Material: tinned annealed copper conductors
- Rated Voltage: 300/300V
- Non-Shielded

#### CONDUCTOR INSULATION:

- Insulation Material PVC - Polyvinyl Chloride
- Blue Conductor: D<sub>Q</sub> (Data Line)
- Brown Conductor: V<sub>DD</sub> & GND (power supply and ground)

#### OUTER JACKET:

- Outer Jacket Material PVC - Polyvinyl Chloride

#### MECHANICAL CHARACTERISTICS:

- Operating Temperature Range -40°C To +80°C